

# LINI XL Spot 5R (Adjustable) Fixture Guide



Indoor | Recessed | Output up to 750lm/module

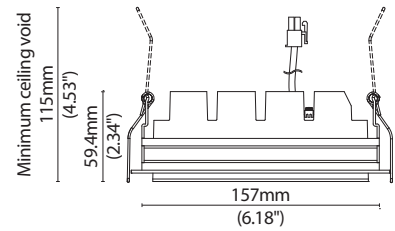


### Key applications

- ✓ Ceiling
- ✓ Interior
- ✓ Downlighting
- ✓ Retail display
- ✓ Flood lighting

### Key features

- ✓ Adjustable
- ✓ IP20
- ✓ High lumen efficacy
- ✓ Lensed





# LINI XL Spot 5R (Adjustable)

## Specification sheet



<b>Dimensions</b>	H60/W70/D171mm (H2.36/W2.76/D6.73 in)
<b>PCB Cut-point</b>	-
<b>LED Pitch</b>	27.5mm (1.08in)
<b>Chip</b>	<b>hcc-line:</b> CREE
<b>Cover/Optics</b>	Adjustable type(±20°), 24° or 40° lens with black reflector
<b>CCT</b>	2700K/3000K/4000K
<b>LED binning</b>	3-step MacAdam ellipse
<b>CRI</b>	90
<b>Lifetime</b>	50,000 hours @ 25°C (50,000 hours @ 77°F)
<b>Operating temp</b>	T <sub>a</sub> = -20°C to 40°C (T <sub>c</sub> max = 80°C) T <sub>a</sub> = -4 to 104°F (T <sub>c</sub> max = 176°F)
<b>IP Rating</b>	IP20
<b>Finish</b>	Matt white/Black paint
<b>Mounting</b>	Recessed mounting
<b>Power feed</b>	Single IP20 Connector
<b>Control</b>	Constant current

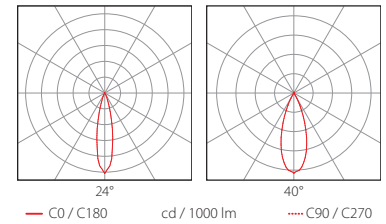
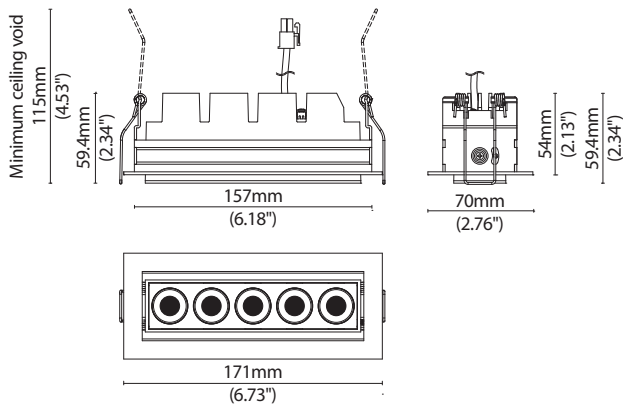


Power consumption	Supply voltage	Supply current
11W	16V	700mA

### Performance Data (3000K)

	R1	R2	R3	R4	R5	R6	R7	R8	R9	R10	R11	R12	R13	R14
<b>2700K</b>	90	93	94	93	89	91	94	80	52	82	93	78	91	96
<b>3000K</b>	94	96	97	94	93	95	94	84	63	90	94	79	94	98
<b>4000K</b>	91	94	96	92	90	92	93	81	50	85	92	76	91	98

	24° Lens	40° Lens	CRI	R9	Rf	Rg
<b>hcc-line</b>	750lm/module 68lm/W	750lm/module 68lm/W	93	63	-	-





# LINI XL Spot 5R (Adjustable) Code Table



## FIXTURE

Model	Finish	Cover	Option	Colour (CCT)	IP	Cable Length	Power Feed	Lens	Control Type	Input	
LINI XL Spot	LP	Matt White paint MW	Reflector V	5 Adjustable 5A1	2700K 27	IP20 20	700mm/27.56" 0700	Single no sheath S20X IP20 connector	24° 24 40° 40	No Controller 5	CC 700mA i
		Matt Black paint MB			3000K 30 4000K 40						

## Code Example:

LP	-	MW	-	V	-	5A1	-	30	-	20	-	0700	-	S20X	-	24	-	5	-	i
LINI XL Spot		Matt White paint		Reflector		5 Adjustable		3000K		IP20		700mm/27.56"		Single no sheath IP20 connector		24°		No Controller		CC 700mA

## LED ENGINE VARIANTS (LED STRIP TYPE)

Luminaire	Lumen/module	W	Spec Doc	LED Pitch	Dimension
LINI XL Spot 1 Recessed	140	2	LINI XL Spot 1R	N/A	H60/W45/D45mm (H2.36/W1.77/D1.77in)
LINI XL Spot 2 Recessed	300	4	LINI XL Spot 2R	27.5mm (1.08in)	H60/W45/D70mm (H2.36/W1.77/D2.76in)
LINI XL Spot 3 Recessed	450	7	LINI XL Spot 3R	27.5mm (1.08in)	H60/W45/D98mm (H2.36/W1.77/D3.86in)
LINI XL Spot 5 Recessed	750	11	LINI XL Spot 5R	27.5mm (1.08in)	H60/W45/D152.5mm (H2.36/W1.77/D6.00in)
<b>LINI XL Spot 5 Adjustable</b>	<b>750</b>	<b>11</b>	<b>LINI XL Spot 5R (Adjustable)</b>	<b>27.5mm (1.08in)</b>	<b>H60/W70/D171mm (H2.36/W2.76/D6.73in)</b>
LINI XL Wallwasher 5 Recessed	500	11	LINI XL Wallwasher 5R	12.95mm (0.51in)	H59.7/W44.4/D152.5mm (H2.35/W1.75/D6.00in)

\* Performance data: hcc-line, 24° lens, 3000K



# LINI XL Spot Driver/PSU Options



## AVAILABLE PSU OPTIONS

Control Mode	PSU (Order Code)	Input Voltage AC	Output Voltage DC	Rated Output Current	Rated Power	Dim %	IP Rating
Switched	HLG-60H-C350A	90-305V	100V-200V	0.35A	70W	-	IP65
	HLG-60H-C700A	90-305V	50V-100V	0.7A	70W	-	IP65
	HLG-80H-C350A	90-305V	128V-257V	0.35A	90W	-	IP65
	HLG-80H-C700A	90-305V	64V-129V	0.7A	90W	-	IP65
	HLG-120H-C350A	90-305V	215-430V	0.35A	150W	-	IP65
	HLG-120H-C700A	90-305V	107V-215V	0.7A	150W	-	IP65
	HLG-185H-C700A	90-305V	143V-286V	0.7A	199W	-	IP65
0-10V (1-10V)	HLG-60H-C350B	90-305V	100V-200V	0.35A	70W	-	IP67
	HLG-60H-C700B	90-305V	50V-100V	0.7A	70W	-	IP67
	HLG-80H-C350B	90-305V	128V-257V	0.35A	90W	-	IP67
	HLG-80H-C700B	90-305V	64V-129V	0.7A	90W	-	IP67
	HLG-120H-C350B	90-305V	215-430V	0.35A	150W	-	IP67
	HLG-120H-C700B	90-305V	107V-215V	0.7A	150W	-	IP67
	HLG-185H-C700B	90-305V	143V-286V	0.7A	199W	-	IP67
DMX	POWERdrive 1060/A	120 - 277V	2V-57V	0.35A, 0.7A	100W	-	-
	POWERdrive 106/M	120 - 277V	2V-57V	0.35A, 0.7A	100W	-	-
	POWERdrive 106/S	120 - 277V	2V-57V	0.35A, 0.7A	100W	-	-
	POWERdrive 1061/M	120 - 277V	2V-57V	0.35A, 0.7A	100W	-	-
	POWERdrive 1061/S	120 - 277V	2V-57V	0.35A, 0.7A	100W	-	-
DALI	ELG-100-C350DA	180-295V	143-286V	0.35A	100W	-	IP67
	ELG-100-C700DA	180-295V	71-143V	0.7A	100W	-	IP67
	ELG-150-C700DA	180-295V	150-300V	0.7A	150W	-	IP67